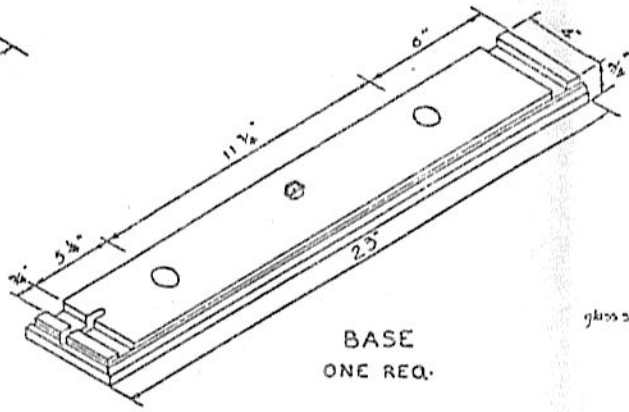
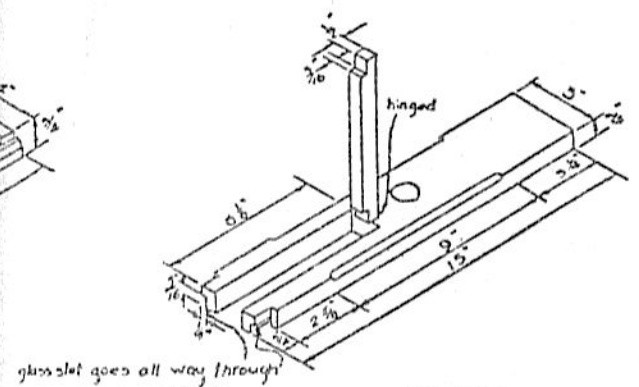


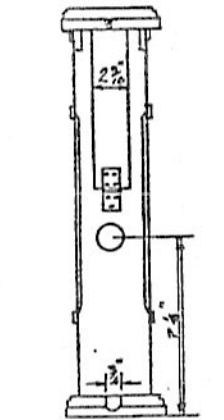
TOP
ONE REQ.



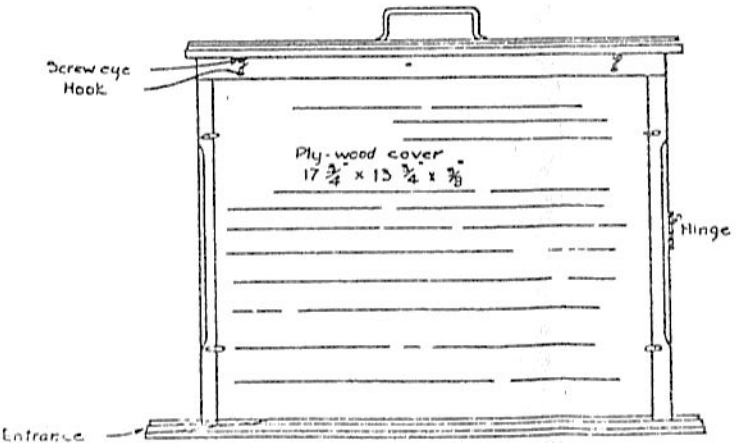
BASE
ONE REQ.



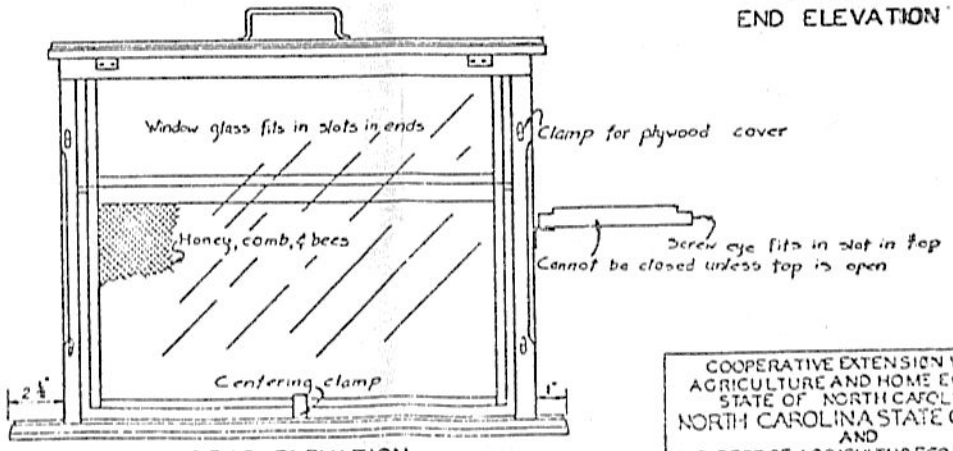
END
TWO REQ.



END ELEVATION



FRONT ELEVATION



REAR ELEVATION

SCALE 3"=1'-0"

COOPERATIVE EXTENSION WORK IN
AGRICULTURE AND HOME ECONOMICS
STATE OF NORTH CAROLINA
NORTH CAROLINA STATE COLLEGE
AND
U.S. DEPT. OF AGRICULTURE COOPERATING
EXT. AGR. ENGINEER - RALEIGH, N.C.

SINGLE FRAME OBSERVATION HIVE

N.C. NO. SHEET OF 1

JUNE 1949 2511